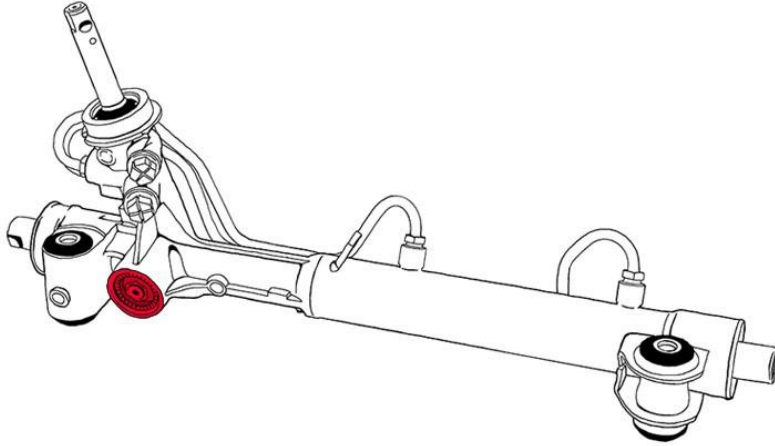




Tool for adjusting the adjusting screw Part No. TLS20257



Application
Mini Clubman (F54) (2015-), BMW X1 II (F48) (2015-2019), BMW 1 Series III (F40) (2019-), BMW 2 Series (F44) (2019-), BMW 2 Series Active Tourer (F45) (2014-2021), BMW X2 (F39) (2017-2023)

FITS THE FOLLOWING

Rack part number	Crossreferences	Application
ATGE43251RB	BMW 32105A19841, 32106897687, 32101543704, 32106857349, 32106853631, 32106898946, 32106899995, 32106899953, 32106899425, 32106899383, 32106892335, 32106892293, 32106895794	Mini Clubman (F54) (2015-)
ATGE43271RB	BMW 32106880910, 32106889669, 32106887009, 32106878978, 32106880908, 32106877455, 32106877497, 32106879020, 32106870906, 32106872442, 32106876087, 32106876119, 32106874726, 32106885887, 32106886508, 32106888648, 32106886522, 32106884081, 32106884134, 32106882053, 32106882055, 32106878980, 32106882115, 32106879024, 32106877501, 32106876123, 32106876094, 32106877457	BMW X1 II (F48) (2015-2019)



ATGJ40311RB	BMW 32106876088, 32106884082, 32106878979, 32106882056, 32106877456, 32106882054	Mini Clubman (F54) (2015-)
ATGJ41321RB	BMW 32106880909	BMW 1 Series III (F40) (2019-) 2 Series (F44) (2019-) 2 Series Active Tourer (F45) (2014- 2021)
ATGJ41331RB	BMW 32105A24207	BMW 1 Series III (F40) (2019-) 2 Series (F44) (2019-) 2 Series Active Tourer (F45) (2014- 2021)
ATGJ41341RB	BMW 32105A09730, 32106891576, 32107915931, 32106860696	BMW 1 Series III (F40) (2019-) 2 Series (F44) (2019-) 2 Series Active Tourer (F45) (2014- 2021)
ATGJ41431RB	BMW 32101543705, 32106853632, 32105A12B84, 32105A24241, 32105A24243	BMW X1 II (F48) (2015-2019) X2 (F39) (2017-2023)
ATGJ41441RB	BMW 32105A24205	BMW X1 II (F48) (2015-2019) X2 (F39) (2017-2023)
ATGJ41451RB	BMW 32105A24247	BMW X1 II (F48) (2015-2019) X2 (F39) (2017-2023)

More new products at <https://www.atg-components.com/warehouse-news>